



# O 500 U 1726 Automatic (Low Entry)

## DATA TEKNIS

### MESIN & TRANSMISI

Mesin	Mercedes-Benz OM 906 LA Euro 3 Diesel, 6-Silinder Segaris, Injeksi Langsung dengan Turbo charger dan Intercooler
Total Isi Silinder	6.374 cc
Diameter / Langkah	102 / 130 mm
Daya Maksimum	191 kW (260 hp) @ 2,200 rpm
Torsi Maksimum	950 Nm @ 1,200 - 1,600 rpm
Transmisi	ZF Ecolife6 AP 1000 B / 3.36 - 0.62 Full Automatic, 6 Percepatan Maju
Perbandingan Gigi	3.36/1.91/1.42/1.00/0.72/0.62 Mundur = 4.24
Kecepatan Maksimum	60 km/jam

### GANDAR

Depan (1st Axle)	MB VO 4 / 39 CL 7.5
Kapasitas	6,500 kg
Belakang	MB RO 390 -11.5 / C22.5
Perbandingan Gigi	5.875 (47:8)
Kapasitas	10,500 kg

### SUSPENSI

Depan	Suspensi Udara dengan 2 Balon Udara, 2 Double Acting Shock Absorber, Stabilizer
Belakang	Suspensi Udara dengan 4 balon udara, 4 Double Acting Shock Absorber, Stabilizer
Fitur Tambahan	Pengaturan level suspensi secara Elektronik (ECAS: Electronic System of Suspension Level Control) + Kneeling System

### REM & KEMUDI

Rem Utama	Disc Brake, Dua Jalur Udara Tekan Penuh
Rem Parkir	Pegas, Kendali Udara Tekan Penuh Pada Gandar Belakang
Rem Tambahan	Retarder, Top Brake / Constant Throttle Exhaust Brake
Fitur Tambahan	ABS (Anti-Lock Braking System)
Kemudi	Power Steering ZF 8097

### BAN & PELEK

Ban	295 / 80 R22.5
Pelek	8.25 x 22.5 PR 16

### KELISTRIKAN

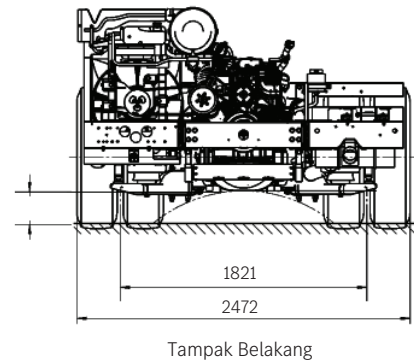
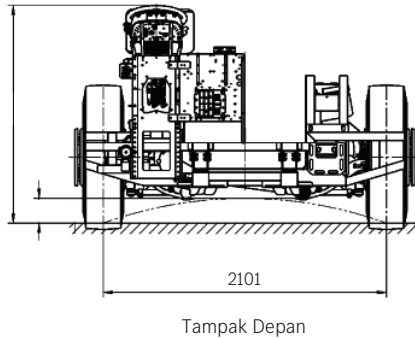
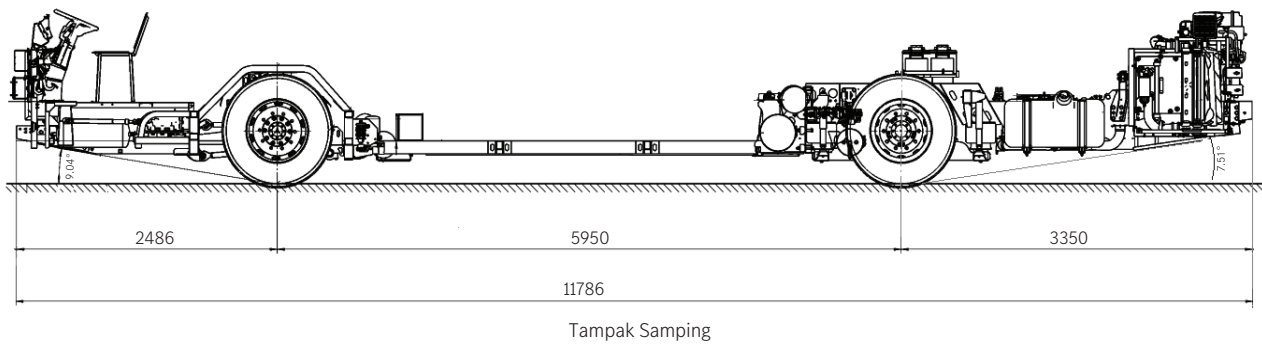
Sistem	24 V
Alternator	2 x 28 V / 100 A
Baterai	2 x 135Ah, 12V

### TANGKI BAHAN BAKAR

Kapasitas Tangki	210 Liter
------------------	-----------

### UKURAN UTAMA

Jarak Sumbu	5,950 mm
Julur Depan	2,486 mm
Julur Belakang	3,350 mm
Panjang Total	11,786 mm
Lebar Total	2,472 mm
Jarak Pijak Roda Depan	2,101 mm
Jarak Pijak Roda Belakang	1,821 mm
Sudut Datang	9.04°
Sudut Pergi	7.51°
Radius Putar	10,350 mm
Berat Sasis	5,880 kg
Berat Kotor Kendaraan (GVW)	17,000 kg



## Bus Warranty Package.

Worry less while you make more, Mercedes-Benz Bus come with a Bus Warranty Package as a standard. The warranty entitles you with:

- Overall Vehicle Warranty: 12 months / 50,000km from delivery (whichever come first after the first 12 months following initial registration).
- Powertrain Warranty: 24 months / 100,000km from delivery (whichever come first after the first 12 months following initial registration).  
(except: Wear and Tear Part)

Our Authorized Mercedes-Benz Commercial Vehicles Dealers ensure your vehicles with service that you can trust. Every regular service, maintenance and repair are carried out by professionally trained and certified technicians using original Mercedes-Benz spare parts only.

Visit our Authorized Mercedes-Benz Commercial Vehicles Dealers at any time for more details. Our highly dedicated trained team, complete tools and sophisticated diagnostic equipment are at your service.

### PT Kalimas AI - Yogyakarta:

Jl. Raya Yogya - Solo Km. 9 Yogyakarta - 55010  
Telp.: (0274) 488130, 484213, 488916

### PT Kalimas AI - Semarang:


Jl. Raya Semarang - Demak Km. 7, Kota Semarang - 50118  
Telp.: +62-(24)-6592-811  
WA: +62-895-3911-63388


Daimler Commercial Vehicles Indonesia berhak mengubah konfigurasi produk tanpa pemberitahuan terlebih dahulu. Perubahan pada produk dapat terjadi sejak brosur ini dicetak (02.22). Foto produk pada brosur ini dapat berbeda dari produk-produk yang masuk ke Indonesia. Untuk konfirmasi lebih lanjut, silahkan hubungi Authorized Mercedes-Benz Commercial Vehicles Dealers Anda.



and Mercedes-Benz are trademarks of Mercedes-Benz Group AG.

 kalimas.net

 [instagram.com/mercedessemarang](https://www.instagram.com/mercedessemarang)

 [youtube.com/@kalimasarubiindonesia8866](https://www.youtube.com/@kalimasarubiindonesia8866)

 [facebook.com/kalimas.ai.7](https://www.facebook.com/kalimas.ai.7)

**Mercedes-Benz**  
The standard for buses.

